

MPCA 系列
SERIES

UPGRADE

角型 交流用品

For AC line, Rectangular Type

·供电子设备用塑胶薄膜电容器。

For electrical equipment.

·具有自我修复性，是一款值得信赖的电容器。

Reliability is excellent because these capacitors provide self-healing.

·聚丙烯塑膜是高绝缘、低损耗品。

High isolation and low loss of polypropylene film used.

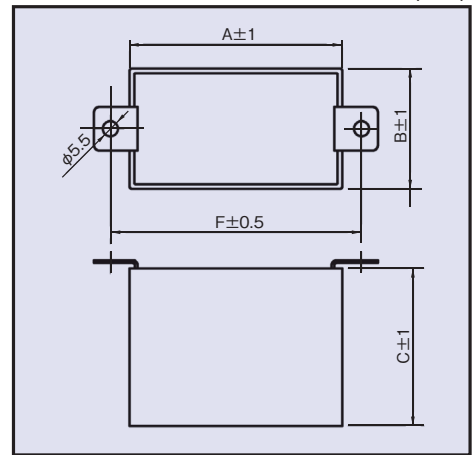
RoHS
compliance



规格 / SPECIFICATIONS

工作温度范围/Category Temperature Range	-25°C~+70°C
额定电压/Rated Voltage	220Vac, 250Vac(275Vac), 300Vac, 500Vac(480Vac)
静电容量/Capacitance	1μF~100μF
静电容量允许差/Capacitance Tolerance	±5%(J), ±10%(K)
损失角正切值/tanδ	0.003max (1kHz 25°C±5°C)
耐电压/Voltage Proof	端子间 额定电压x1.75 10秒 Between the terminals : Rated Voltage x 1.75 10s
	端子与外壳之间 2000Vac 10秒 Between the terminal and case : 2000Vac 10s
绝缘电阻/Insulation Resistance	6000ΩFmin (20°C 120s 500Vdc)
外壳/Case	PBT·PPS 树脂/PBT·PPS Resin
填充树脂/Filling Resin	环氧树脂/Epoxy Resin
标准规格/Reference Standard	JIS C 4908

尺寸图 / DIMENSIONS (mm)



产品型号体系 / PART NUMBER



标准品一览表 / STANDARD SIZE

:静电容量允许差记号 / Capacitance Tolerance

额定电压 Rated Voltage	静电容量 Cap(μF)	静电容量允许差 Cap Tolerance(%)	尺寸 Dimensions (mm)				编号 Part No.
			A	B	C	F	
220 Vac	1	J (±5%) K (±10%)	37	15	29	52	220MPCA105 <input type="checkbox"/> R99L
	2		37	15	29	52	220MPCA205 <input type="checkbox"/> R99L
	3		37	15	29	52	220MPCA305 <input type="checkbox"/> R99L
	4		37	15	29	52	220MPCA405 <input type="checkbox"/> R99L
	5		37	19	32.5	52	220MPCA505 <input type="checkbox"/> R99L
	6		37	19	32.5	52	220MPCA605 <input type="checkbox"/> R99L
	7		48	18	30	62	220MPCA705 <input type="checkbox"/> R99L
	8		48	18	30	62	220MPCA805 <input type="checkbox"/> R99L
	9		48	18	30	62	220MPCA905 <input type="checkbox"/> R99L
	10		48	22	35	62	220MPCA106 <input type="checkbox"/> R99L
	12	48	22	35	62	220MPCA126 <input type="checkbox"/> R99L	
	14	48	24	38	62	220MPCA146 <input type="checkbox"/> R99L	
	16	58	26	40	72	220MPCA166 <input type="checkbox"/> R99L	
	18	58	26	40	72	220MPCA186 <input type="checkbox"/> R99L	
	20	58	26	40	72	220MPCA206 <input type="checkbox"/> R99L	
	30	58	34	49	72	220MPCA306 <input type="checkbox"/> R99L	
	40	58	34	49	72	220MPCA406 <input type="checkbox"/> R99L	
	50	78	44	58	92	220MPCA506 <input type="checkbox"/> R99L	
	60	78	44	58	92	220MPCA606 <input type="checkbox"/> R99L	
	70	78	44	58	92	220MPCA706 <input type="checkbox"/> R99L	
80	78	44	58	92	220MPCA806 <input type="checkbox"/> R99L		
90	78	44	58	92	220MPCA906 <input type="checkbox"/> R99L		
100	78	44	58	92	220MPCA107 <input type="checkbox"/> R99L		

◆标准品一览表 / STANDARD SIZE

□:静电容量允许差记号 / Capacitance Tolerance

额定电压 Rated Voltage	静电容量 Cap(μF)	静电容量允许差 Cap Tolerance(%)	尺寸 Dimensions (mm)				编 号 Part No.
			A	B	C	F	
250 (275) Vac	1	J (±5%) K (±10%)	37	15	29	52	250MPCA105□R99L
	2		37	15	29	52	250MPCA205□R99L
	3		37	19	32.5	52	250MPCA305□R99L
	4		37	19	32.5	52	250MPCA405□R99L
	5		48	18	30	62	250MPCA505□R99L
	6		48	22	35	62	250MPCA605□R99L
	7		48	22	35	62	250MPCA705□R99L
	8		48	24	38	62	250MPCA805□R99L
	9		48	24	38	62	250MPCA905□R99L
	10		58	26	40	72	250MPCA106□R99L
	12		58	26	40	72	250MPCA126□R99L
	14		58	26	40	72	250MPCA146□R99L
	16		58	30	44	72	250MPCA166□R99L
	18		58	30	44	72	250MPCA186□R99L
	20		58	30	44	72	250MPCA206□R99L
	30		78	44	58	92	250MPCA306□R99L
40	78	44	58	92	250MPCA406□R99L		
50	78	44	58	92	250MPCA506□R99L		
300 Vac	1	J (±5%) K (±10%)	37	19	32.5	52	300MPCA105□R99L
	2		48	22	35	62	300MPCA205□R99L
	3		48	24	38	62	300MPCA305□R99L
	4		48	24	38	62	300MPCA405□R99L
	5		58	26	40	72	300MPCA505□R99L
	6		58	26	40	72	300MPCA605□R99L
	7		58	30	44	72	300MPCA705□R99L
	8		58	30	44	72	300MPCA805□R99L
	9		58	30	44	72	300MPCA905□R99L
	10		58	30	44	72	300MPCA106□R99L
	12		58	30	44	72	300MPCA126□R99L
	14		58	34	49	72	300MPCA146□R99L
	16		58	34	49	72	300MPCA166□R99L
	18		78	44	58	92	300MPCA186□R99L
	20		78	44	58	92	300MPCA206□R99L
	30		78	44	58	92	300MPCA306□R99L
500 (480) Vac	1	J (±5%) K (±10%)	37	19	32.5	52	500MPCA105□R99L
	2		48	22	35	62	500MPCA205□R99L
	3		58	26	40	72	500MPCA305□R99L
	4		58	26	40	72	500MPCA405□R99L
	5		58	30	44	72	500MPCA505□R99L
	6		58	30	44	72	500MPCA605□R99L
	7		58	34	49	72	500MPCA705□R99L
	8		58	34	49	72	500MPCA805□R99L
	9		78	44	58	92	500MPCA905□R99L
	10		78	44	58	92	500MPCA106□R99L
	12		78	44	58	92	500MPCA126□R99L

·()内的电压也可订购。

Voltage in brackets is also available.

·也在生产电容和额定电压不同的塑胶薄膜电容器。详情请咨询我们。

Different capacitance and rated voltage item is available. For details, please consult our sales offices.

·端子形状示例

Custom terminal examples

(http://www.rubycon.co.jp/en/catalog/e_pdfs/film/e_MPCA_custom.pdf)

