

MPX 系列  
SERIES

UPGRADE

圆筒型 螺栓固定型  
Stud Mounting, Cylindrical Type

- 产业机器用逆变器滤波薄膜电容器。  
Inverter smoothing capacitors for Industrial equipment.
- 具有自我修复性，是一款值得信赖的电容器。  
Reliability is excellent because these capacitors provide self-healing.
- 聚丙烯塑膜是高绝缘、低损耗品。  
High isolation and low loss of polypropylene film used.
- 因为是螺栓固定型，所以可提高安装工作性。  
Mounting workability can be improved by stud fixing screw.

RoHS  
compliance

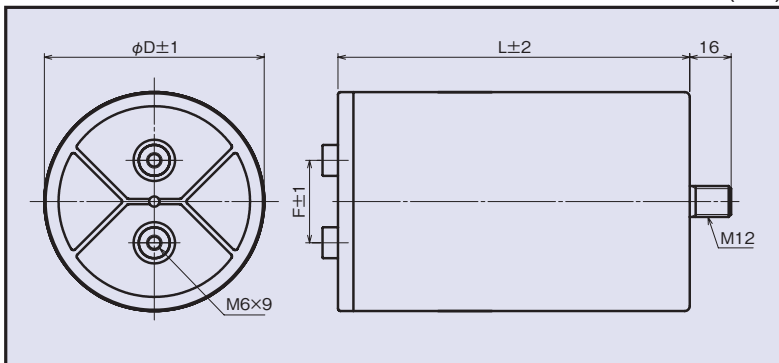


规格 / SPECIFICATIONS

工作温度范围/Category Temperature Range	-20°C~+70°C
额定电压/Rated Voltage	900Vdc, 1100Vdc, 1300Vdc
静电容量/Capacitance	200μF~1600μF
静电容量允许差/Capacitance Tolerance	±10%(K)
耐电压/Voltage Proof	端子间 额定电压x1.5 10秒 Between the terminals : Rated Voltage x 1.5 10s
	端子与外壳之间 2000Vdc 10秒 Between the terminal and case : 2000Vdc 10s
绝缘电阻/Insulation Resistance	6000ΩFmin (20°C 120s 500Vdc)
拧紧端子扭矩/Terminal Tightening Torque	4±0.5 Nm
拧紧固定螺栓扭矩/Fixing Bolt Tightening Torque	10±1.0 Nm
外壳/Case	铝/Aluminum
填充树脂 /Filling Resin	环氧树脂/Epoxy Resin

尺寸图 / DIMENSIONS

(mm)



·有关固定螺栓用螺母及垫圈，请参照铝电解电容器螺栓端子的项目。  
Please refer to screw terminal aluminum electrolytic capacitors section for nut and washer of stud mounting.

产品型号体系 / PART NUMBER

□□□	MPX	□□□	K	□□□	W6
额定电压 Rated Voltage	系列名称 Series	静电容量 Capacitance	静电容量允许差 Capacitance Tolerance	副记号 Option	端子记号 Terminal Code

#### ◆标准品一览表 / STANDARD SIZE

额定电压 Rated Voltage	静电容量 Cap(μF)	尺寸 Dimensions (mm)			允许电流 Permissible Current (A r.m.s./10kHz)	ESL (nH)	编号 Part No.
		D	L	F			
900 Vdc	450	85	136	32	32	45	900MPX457KR99W6
	580	116	136	50	41	55	900MPX587KR99W6
	630	116	136	50	44	55	900MPX637KR99W6
	820	116	136	50	58	60	900MPX827KR99W6
	1000	116	186	50	78	60	900MPX108KR92W6
	1200	116	246	50	64	60	900MPX128KR92W6
	1400	116	246	50	74	60	900MPX148KR92W6
	1600	116	246	50	85	60	900MPX168KR92W6
1100 Vdc	220	85	106	32	25	40	111MPX227KR99W6
	280	85	136	32	22	40	111MPX287KR99W6
	330	85	136	32	26	40	111MPX337KR99W6
	370	85	136	32	29	45	111MPX377KR99W6
	420	85	136	32	33	45	111MPX427KR99W6
					54		111MPX427KR92W6
	460	116	136	50	36	60	111MPX467KR99W6
	500	116	136	50	39	60	111MPX507KR99W6
	680	116	186	50	60	65	111MPX687KR92W6
	1000	116	246	50	59	65	111MPX108KR92W6
	1200	116	246	50	71	65	111MPX128KR92W6
1500	116	246	50	89	70	111MPX158KR92W6	
1300 Vdc	200	85	136	32	20	50	131MPX207KR99W6
	250	116	136	50	26	55	131MPX257KR99W6
	300	116	136	50	31	55	131MPX307KR99W6
	400	116	136	50	41	60	131MPX407KR99W6
	500	116	186	50	57	60	131MPX507KR92W6
	600	116	246	50	46	60	131MPX607KR92W6
	700	116	246	50	54	60	131MPX707KR92W6
	800	116	246	50	62	60	131MPX807KR92W6

·也在生产电容和额定电压不同的塑胶薄膜电容器。详情请咨询我们。

Different capacitance and rated voltage item is available. For details, please consult our sales offices.