

AR SERIES CIRCUIT PROTECTION

Single Pole; Auto-reset, Modified-reset, Manual-reset



•Technical data

- Current rating range 3~50A
- Input voltage rating 12/24 VDC; 14/28VDC
- Compliances SAE J553
- Contact Endurance 125Vac X150% of rated current >500 cycles
125Vac X200% of rated current >200 cycles
- Insulation Resistance >100MOHM (DC 500V)
- Dielectric Strength > 1,500VAC/min.
- Breaking Capacity 4 times rated current
- Automotive Type Auto- Reset; 12/24VDC Automotive Type I
- Automotive Type Modified- Reset; 12VDC Automotive Type II
- Automotive Type Manual- Reset; 12VDC Automotive Type III
- Materials UL 94V-0 Thermoplastic body, thermoset for Type III buttons.



•Mechanical/Environmental Data

- Operating Ambient Temperature: -10°C to +60°C
- Storage Temperature Rating: -40°C to +100°C.
- Terminal Type: #10-32 thread and 0.25" quick-connect options available

•Typical applications

Trolling motors, Battery chargers, trucks, buses, RV's.

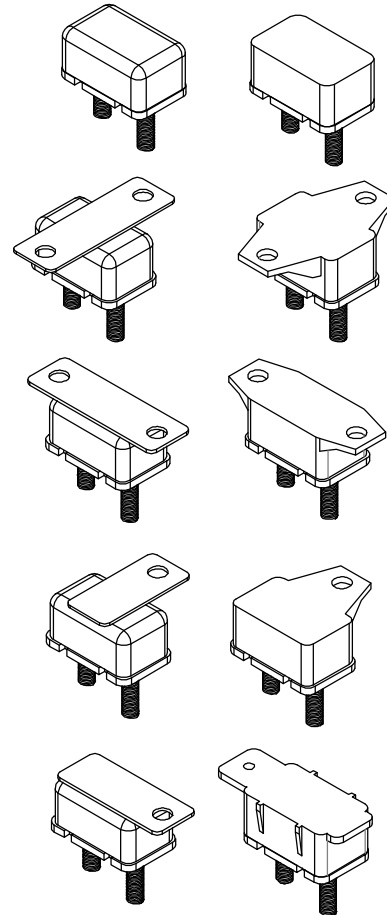
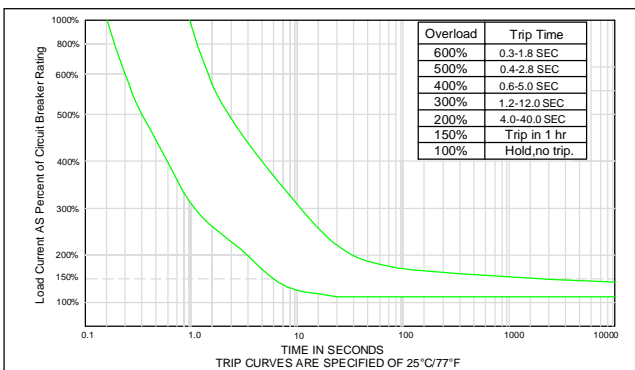
•Approval

•Approval & File No.	Rated current	Rated voltage
•CUL ULE317794 (For Plastic Cover)	3-50A	125/250VAC; 50VDC

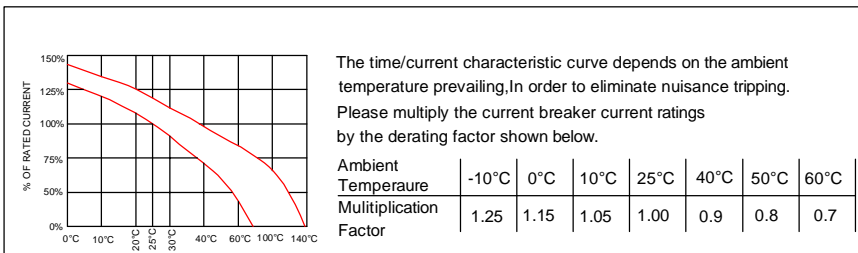
•Calibration(at25°C)

- 100% of Rated Current: Hold , No Trip
- 150% of Rated Current: Trip Within 1 Hour.
- 200% of Rated Current: 4.0-40.0 SEC Trip
- 300% of Rated Current: 1.2-12.0 SEC Trip

•AR Series 3~50A Trip Curves



• Temperature Derating Curves



The time/current characteristic curve depends on the ambient temperature prevailing. In order to eliminate nuisance tripping. Please multiply the current breaker current ratings by the derating factor shown below.

Ambient Temperature	-10°C	0°C	10°C	25°C	40°C	50°C	60°C
Multiplication Factor	1.25	1.15	1.05	1.00	0.9	0.8	0.7

AR Series Circuit Breaker Order Guide

AR- I - 12 - A P1 5 - 0 0 0

